

CP 406 M

VAN DAM

DRY OFFSET PRINTING MACHINE
FOR DECORATION OF ROUND
CUPS



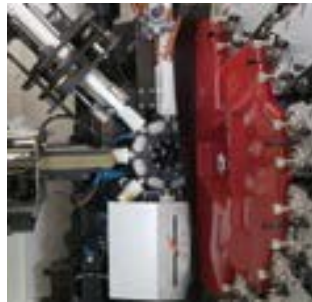
“THE COMPACT PRINTER”

Meeting the market demand for profitable price/quality ratio's, Van Dam has designed the CP 406 M. The CP 406 M is a practical printer with first time right printing plate mounting. I.e. high accuracy punching of the printing plates and unique attaching system eliminates the need of registration. The combination of the color head construction and effective cup handling system resulted in a compact printer with sharp printing quality.



CP 406 M OPTIONS

- Hold-on device
- Tray feeder with large buffer capacity
- Separator for non-bending stacks
- Pinhole detection and reject system
- Roller tool for pre-rolling of printing plates



MACHINE FEATURES AND BENEFITS

- 'First time right' plate mounting
- Cost effective
- Quick set color heads
- Low maintenance
- Sharp print quality
- Production speed up to 400 cups per minute
- Six color heads standard
- Well proven color heads, based on decades of manufacturing experience
- Six color heads each provided with eight distribution rollers
- 'First time right' plate mounting
- Sharp print results with two form rollers on each color head
- Easy access to product handling areas and print areas
- Optimum product feeding with separate screw feeder motor
- Graphic operation panel for easy machine-control
- Belt feeder with pressure control
- Corona pretreatment with easily adjustable electrodes
- Quick change mandrel disc assembly, usable on all Van Dam cup printers
- Mandrel rotation control for all around pretreatment and curing
- High powered 'Curing on Mandrel' UV-lamp system with stand-by mode
- Belt take off
- Counting restacker with packing table
- Camera punch jig / bending jig for printing plates

STANDARD SPECIFICATIONS

Min. / max. product height

- 30 - 180 mm

Min. / max. rim diameter

- 40 - 165 (180) mm

Max. printing height

- 120 mm

Max. printing length 150° / 120° / 90°

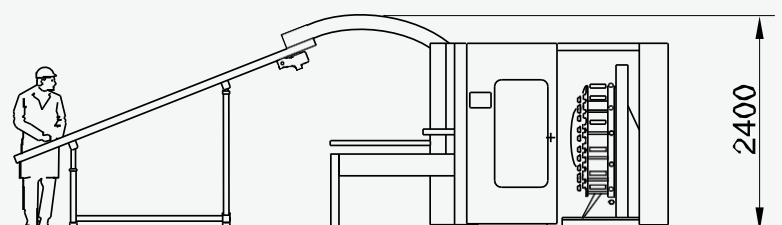
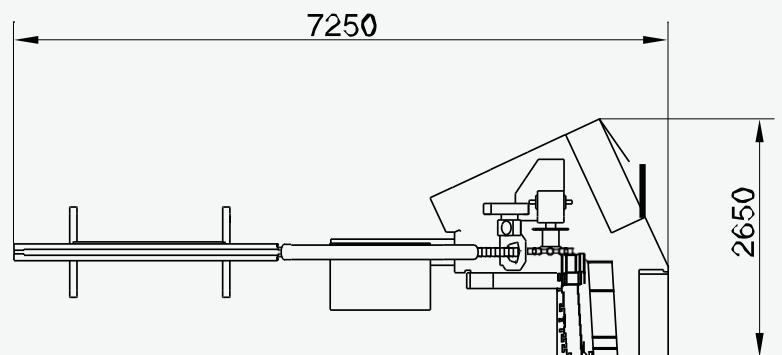
- 300 / 340 / 385 mm

Max. printing length 2 blanked mode

- 425 mm

Min. / max. taper

- 0 - 15°



Product dimensions within above specifications are to be examined for print and speed efficiency. Standard product specifications can be modified upon special request. All specifications are subject to change without prior notice.